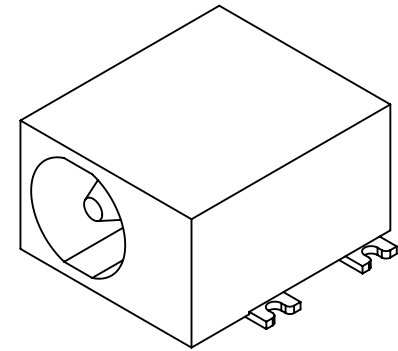
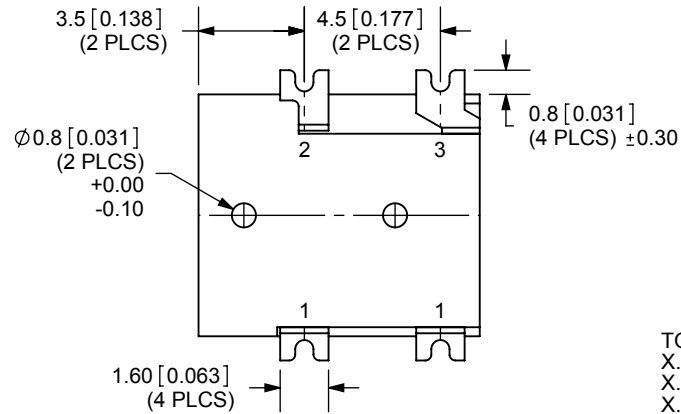
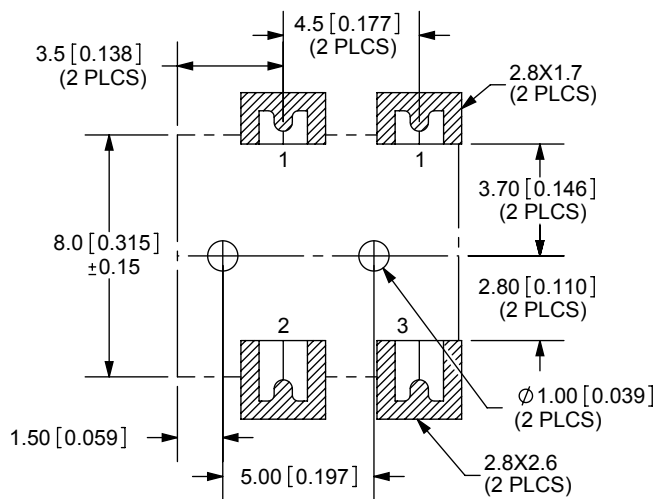
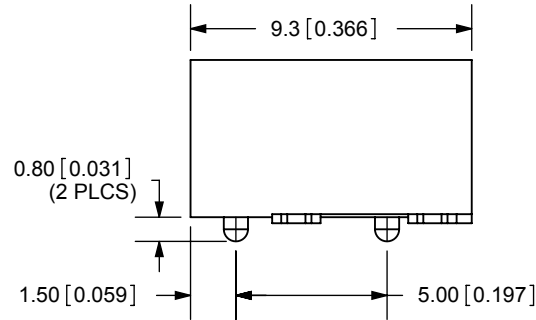
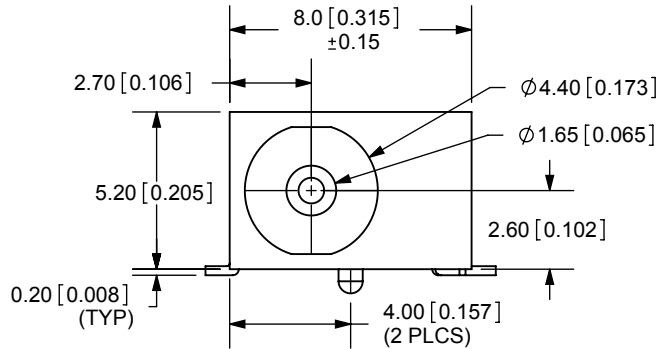


REV.	DESCRIPTION	DATE
A	NEW DRAWING	2/5/2007



TOLERANCE:  
 X.X ±0.2mm  
 X.XX ±0.1mm  
 X.XXX ±0.05mm



PCB LAYOUT  
TOP VIEW

MODEL NO.	PJ-018H-SMT
SCHEMATIC	

CENTER PIN DIAMETER 1.65mm Dia.

SPECIFICATIONS:  
 RATING: 16V DC @ 5A  
 CONTACT RESISTANCE: 50m OHMS MAX  
 INSULATION RESISTANCE: 100M OHMS MIN: 500V DC  
 VOLTAGE WITHSTAND: 500V AC R.M.S. FOR 1 MINUTE  
 LIFE: 5,000 CYCLES

	MATERIAL	PLATING
TERMINAL 1	Brass	Silver
TERMINAL 2	Copper Alloy	Silver
TERMINAL 3	Brass	Silver
CENTER PIN	Copper	Nickel
BODY	PA6T	



20050 SW 112th Ave.  
 Tualatin, OR 97062  
 Phone: 503-612-2300  
 800-275-4899  
 Fax: 503-612-2383  
 Website: www.cui.com

TITLE:	1.65mm SURFACE MOUNT POWER JACK	REV:	A
PART NO.	PJ-018H-SMT	UNITS:	MM [INCHES]
DRAWN BY:	ZRJ	APPROVED BY:	
		SCALE:	4:1

PC FILE NAME:  
PJ-018H-SMT

COPYRIGHT 2007 BY CUI INC.